



晶科能源

www.jinkosolar.com

上海市闵行区申长路  
1466弄1号  
201106

No.1, Lane 1466, Shen-  
chang Road, Minhang  
District, Shanghai,  
201106, China

电话: (86)21-5180 8777  
传真: (86)21-5180 8600

Tel: (86)21-5180 8777  
Fax: (86)21-5180 8600

## Connector Statement

To Whom It May Concern:

We, JINKO SOLAR CO., LTD. (hereinafter the “Jinko Solar”), herewith confirm that Jinko connectors (Connector Type: JK03M2) can be used together with Staubli connectors (Connector Type: MC4-EVO2\_IEC 1000V/IEC 1500V) (Datasheet attached) for new or installed modules. Such action will not hinder the existing Jinko Limited Warranty for the modules.

However, Jinko will not be liable for any damage due to the faults of engineering and/or construction and/or design of the PV System.

Kind regards,

Customer Service Department

JINKO SOLAR CO., LTD.

April 22, 2022



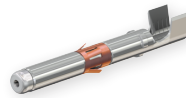
### 公和母电缆连接器 MC4-EVO 2

公和母面板插座分别为单独零件  
(包括绝缘部分)

PV-KBT4-EVO 2/...-UR

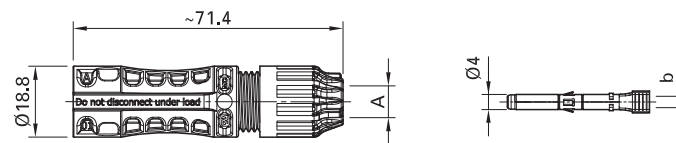
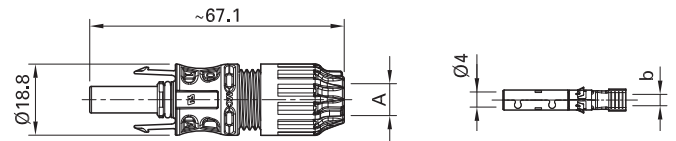


PV-KST4-EVO 2/...-UR



### Female and male cable coupler MC4-EVO 2

Female and male cable coupler as individual part  
(including insulating part)



型号 Type	订货号 Order No.	母电缆连接器 Female cable coupler	公电缆连接器 Male cable coupler	Ø-电缆固定头范围 Ø range of cable gland		导线截面积 Conductor cross section		认证 Approvals
				A (mm)	mm <sup>2</sup>	AWG	b (mm)	
PV-KBT4-EVO 2/2,5I-UR	32.0082P0001-UR	x		4,7 – 6,1				
PV-KST4-EVO 2/2,5I-UR	32.0083P0001-UR		x		1,5	16	3,0	
PV-KBT4-EVO 2/2,5II-UR	32.0084P0001-UR	x		6,1 – 7,6	2,5	14		
PV-KST4-EVO 2/2,5II-UR	32.0085P0001-UR		x					
PV-KBT4-EVO 2/6I-UR	32.0086P0001-UR	x		4,7 – 6,1				
PV-KST4-EVO 2/6I-UR	32.0087P0001-UR		x					
PV-KBT4-EVO 2/6II-UR	32.0088P0001-UR	x		6,1 – 7,6	4,0	12	5,0	
PV-KST4-EVO 2/6II-UR	32.0089P0001-UR		x		6,0	10		
PV-KBT4-EVO 2/6III-UR	32.0090P0001-UR	x		7,6 – 8,5				
PV-KST4-EVO 2/6III-UR	32.0091P0001-UR		x					
PV-KBT4-EVO 2/10III-UR	32.0092P0001-UR	x		7,6 – 8,5	10	8	7,2	
PV-KST4-EVO 2/10III-UR	32.0093P0001-UR		x					

密封盖, 参阅第57页  
 装配工具, 见第63页

Sealing caps page 57  
 Assembly tools page 63

装配说明 MA273  
[www.multi-contact.com](http://www.multi-contact.com)

Assembly Instructions MA273  
[www.multi-contact.com](http://www.multi-contact.com)

- MC4-EVO 2是Multi-Contact的最新光伏连接器产品。
  - 拥有IEC、UL、JET、cTÜVus等国际认证
  - 完全适用于1500 V DC (IEC、JET) 和1000 V DC (UL)
  - 自2004年以来，MULTILAM专业技术的品质和耐用性已经过数亿次考验
  - 对紫外线、氨、盐雾具有耐抗性，防护等级高 (IP68) ，因而适用于所有气候环境
  - 该连接器可现场组装或预装，可使用MC4工具
- The MC4-EVO 2 is the latest addition to the Multi-Contact PV connector portfolio.
  - Internationally certified with IEC, UL, JET, cTÜVus
  - Approved for 1500 V DC (IEC, JET), 1000 V DC (UL) unrestricted access
  - MULTILAM Technology, has proven the quality and durability several 100 million times since 2004
  - Suited for all climatic environments thanks to resistance to UV, ammonia, salt-mist spray and high IP class (IP68)
  - Available as a field and preassembled connector, MC4 tools can be used

技术参数	Technical data	
连接器系统	Connector system	Ø 4 mm
额定电压	Rated voltage	1000 V DC / 1500 V DC (IEC) <sup>1)</sup> 600 V DC / 1000 V DC (UL) <sup>2)</sup> 1500 V DC (JET) <sup>3)</sup>
额定电流 IEC (85 °C)	Rated current IEC (85 °C)	22 A (1,5 mm <sup>2</sup> ) 39 A (2,5 mm <sup>2</sup> / 14 AWG) 45 A (4,0 mm <sup>2</sup> / 12 AWG) 53 A (6,0 mm <sup>2</sup> / 10 AWG) 69 A (10,0 mm <sup>2</sup> / 8 AWG)
额定脉冲电压	Rated impulse voltage	12 kV (1000 V) 16 kV (1500 V)
环境温度范围	Ambient temperature range	-40 °C ... +85 °C (IEC/UL)
温度上限	Upper limiting temperature	115 °C (IEC)
防护等级, 已插合 未插合	Degree of protection, mated unmated	IP65/IP68 (1h/1m) IP2X
过压类别 / 污染等级	Overvoltage category / Pollution degree	CAT III / 3
连接器的接触电阻	Contact resistance of plug connectors	≤ 0,35 mΩ
安全等级	Safety class	II
连接系统	Contact system	MULTILAM
接线方式	Type of termination	Crimpen / Crimping
触点材质	Contact material	Kupfer, verzinkt / Copper, tin plated
绝缘材料	Insulation material	PA
锁紧系统	Locking system (UL)	Locking type
阻燃等级	Flame class	UL94-V0
耐氨性 (参考TÜV)	Ammonia resistance (acc. to TÜV)	Q60095359
TÜV认证, 符合IEC 62852标准	TÜV-Rheinland certified, in accordance with IEC 62852	R60083124
UL认证部件, 符合UL 6703标准	UL recognized component, in accordance with UL 6703	E349713
CSA认证, 符合UL 6703标准	CSA certified, in accordance with UL 6703	CU 72141256 01
JET注册	JET registration	1625-C4302-167

<sup>1)</sup> 连接器适用于PV1F或PV 1500 DC-F电缆。

<sup>2)</sup> 连接器适用于USE2或PV-Wire电缆。

<sup>3)</sup> 连接器适用于拥有“S-JET mark”标志的电缆。

<sup>1)</sup> The connectors are to be used with PV1F or PV 1500 DC-F cables.

<sup>2)</sup> The connectors are to be used with USE2 or PV-Wire cables.

<sup>3)</sup> The connectors are to be used with cables with the “S-JET mark” label.

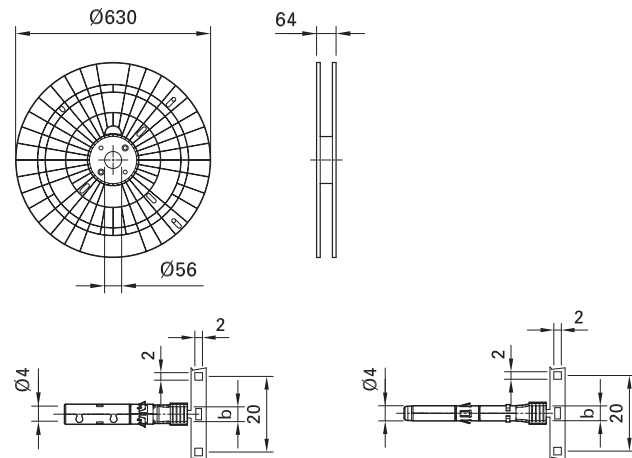
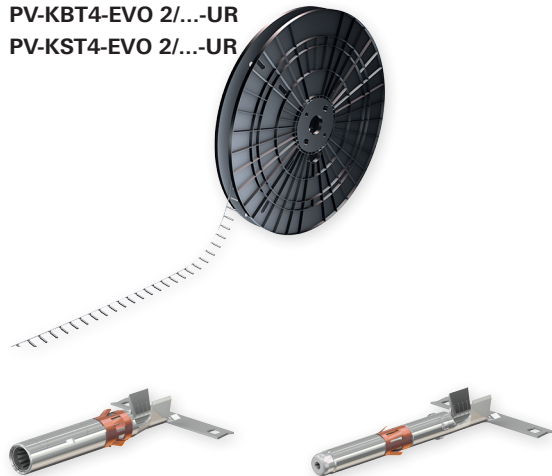
### 公和母电缆连接器 MC4-EVO 2

### Female and male cable coupler MC4-EVO 2

支撑带上的触点  
(包括绝缘部分)

Female and male cable coupler as individual part  
(including insulating part)

PV-KBT4-EVO 2/...-UR  
PV-KST4-EVO 2/...-UR



型号 Type	订货号 Order No.	母电缆连接器 Female cable coupler	公电缆连接器 Male cable coupler	Ø-电缆固定头范围 Ø range of cable gland		导线截面积 Conductor cross section		压接工具 Crimping tool	每卷盘的触头数 <sup>2)</sup> Contacts per reel <sup>2)</sup>	认证 Approvals
				A (mm)		mm <sup>2</sup>	AWG			
PV-KBT4-EVO 2/2,5I-UR	32.0082P2000-UR	x		4,7 – 6,1		1,5	16	3,0	1)	2000
PV-KST4-EVO 2/2,5I-UR	32.0083P2000-UR		x			2,5	14		1)	2000
PV-KBT4-EVO 2/2,5II-UR	32.0084P2000-UR	x		6,1 – 7,6					1)	2000
PV-KST4-EVO 2/2,5II-UR	32.0085P2000-UR		x						1)	2000
PV-KBT4-EVO 2/6I-UR	32.0086P2000-UR	x		4,7 – 6,1					1)	2000
PV-KST4-EVO 2/6I-UR	32.0087P2000-UR		x						1)	2000
PV-KBT4-EVO 2/6II-UR	32.0088P2000-UR	x		6,1 – 7,6		4,0	12	5,0	1)	2000
PV-KST4-EVO 2/6II-UR	32.0089P2000-UR		x			6,0	10		1)	2000
PV-KBT4-EVO 2/6III-UR	32.0090P2000-UR	x		7,6 – 8,5					1)	2000
PV-KST4-EVO 2/6III-UR	32.0091P2000-UR		x						1)	2000
PV-KBT4-EVO 2/10III-UR	32.0092P1700-UR	x		7,6 – 8,5		10	8	7,2	1)	1700
PV-KST4-EVO 2/10III-UR	32.0093P1700-UR		x						1)	1700



密封盖, 参阅第57页  
 解锁工具, 参阅第63页

Sealing caps page 57  
 Assembly tools page 63

装配说明 MA273  
[www.multi-contact.com](http://www.multi-contact.com)

Assembly Instructions MA273  
[www.multi-contact.com](http://www.multi-contact.com)

- MC4-EVO 2是Multi-Contact的最新光伏连接器产品。
  - 拥有IEC、UL、JET、cTÜVus等国际认证
  - 完全适用于1500 V DC (IEC、JET) 和1000 V DC (UL)
  - 自2004年以来，MULTILAM专业技术的品质和耐用性已经过数亿次考验
  - 对紫外线、氨、盐雾具有耐抗性，防护等级高 (IP68) ，因而适用于所有气候环境
  - 该连接器可现场组装或预装，可使用MC4工具
- The MC4-EVO 2 is the latest addition to the Multi-Contact PV connector portfolio.
  - Internationally certified with IEC, UL, JET, cTÜVus
  - Approved for 1500 V DC (IEC, JET), 1000 V DC (UL) unrestricted access
  - MULTILAM Technology, has proven the quality and durability several 100 million times since 2004
  - Suited for all climatic environments thanks to resistance to UV, ammonia, salt-mist spray and high IP class (IP68)
  - Available as a field and preassembled connector, MC4 tools can be used

技术参数	Technical data	
连接器系统	Connector system	Ø 4 mm
额定电压	Rated voltage	1000 V DC / 1500 V DC (IEC) <sup>3)</sup> 600 V DC / 1000 V DC (UL) <sup>4)</sup> 1500 V DC (JET) <sup>5)</sup>
额定电流 IEC (85 °C)	Rated current IEC (85 °C)	22 A (1,5 mm <sup>2</sup> ) 39 A (2,5 mm <sup>2</sup> / 14 AWG) 45 A (4,0 mm <sup>2</sup> / 12 AWG) 53 A (6,0 mm <sup>2</sup> / 10 AWG) 69 A (10,0 mm <sup>2</sup> / 8 AWG)
额定脉冲电压	Rated impulse voltage	12 kV (1000 V) 16 kV (1500 V)
环境温度范围	Ambient temperature range	-40 °C ... +85 °C (IEC/UL)
温度上限	Upper limiting temperature	115 °C (IEC)
防护等级, 已插合 未插合	Degree of protection, mated unmated	IP65/IP68 (1h/1m) IP2X
过压类别 / 污染等级	Overvoltage category / Pollution degree	CAT III / 3
连接器的接触电阻	Contact resistance of plug connectors	≤ 0,35 mΩ
安全等级	Safety class	II
连接系统	Contact system	MULTILAM
接线方式	Type of termination	Crimpen / Crimping
触点材质	Contact material	Kupfer, verzinkt / Copper, tin plated
绝缘材料	Insulation material	PA
锁紧系统	Locking system (UL)	Locking type
阻燃等级	Flame class	UL94-V0
耐氨性 (参考TÜV)	Ammonia resistance (acc. to TÜV)	Q60095359
TÜV认证, 符合IEC 62852标准	TÜV-Rheinland certified, in accordance with IEC 62852	R60083124
UL认证部件, 符合UL 6703标准	UL recognized component, in accordance with UL 6703	E349713
CSA认证, 符合UL 6703标准	CSA certified, in accordance with UL 6703	CU 72141256 01
JET注册	JET registration	1625-C4302-167

<sup>1)</sup> 可索取半自动压接工具或装配工具的资料  
<sup>2)</sup> 卷盘类型可能会有变动  
<sup>3)</sup> 连接器适用于PV1F或PV 1500 DC-F电缆。  
<sup>4)</sup> 连接器适用于USE2或PV-Wire电缆。  
<sup>5)</sup> 连接器适用于拥有“S-JET mark”标志的电缆。

<sup>1)</sup> Information about a semi-automatic crimp device or assembly device on request  
<sup>2)</sup> Reel type subject to alterations  
<sup>3)</sup> The connectors are to be used with PV1F or PV 1500 DC-F cables.  
<sup>4)</sup> The connectors are to be used with USE2 or PV-Wire cables.  
<sup>5)</sup> The connectors are to be used with cables with the “S-JET mark” label.